

# Barudan

ELECTRONIC HIGH SPEED EMBROIDERY MACHINE

## BEHJ

## PARTS LIST

**BARUDAN CO., LTD.**

ADDRESS. 20-TSUKAGOSHI. JOSUIJI  
ICHINOMIYA-CITY. AICHI-PREF  
JAPAN

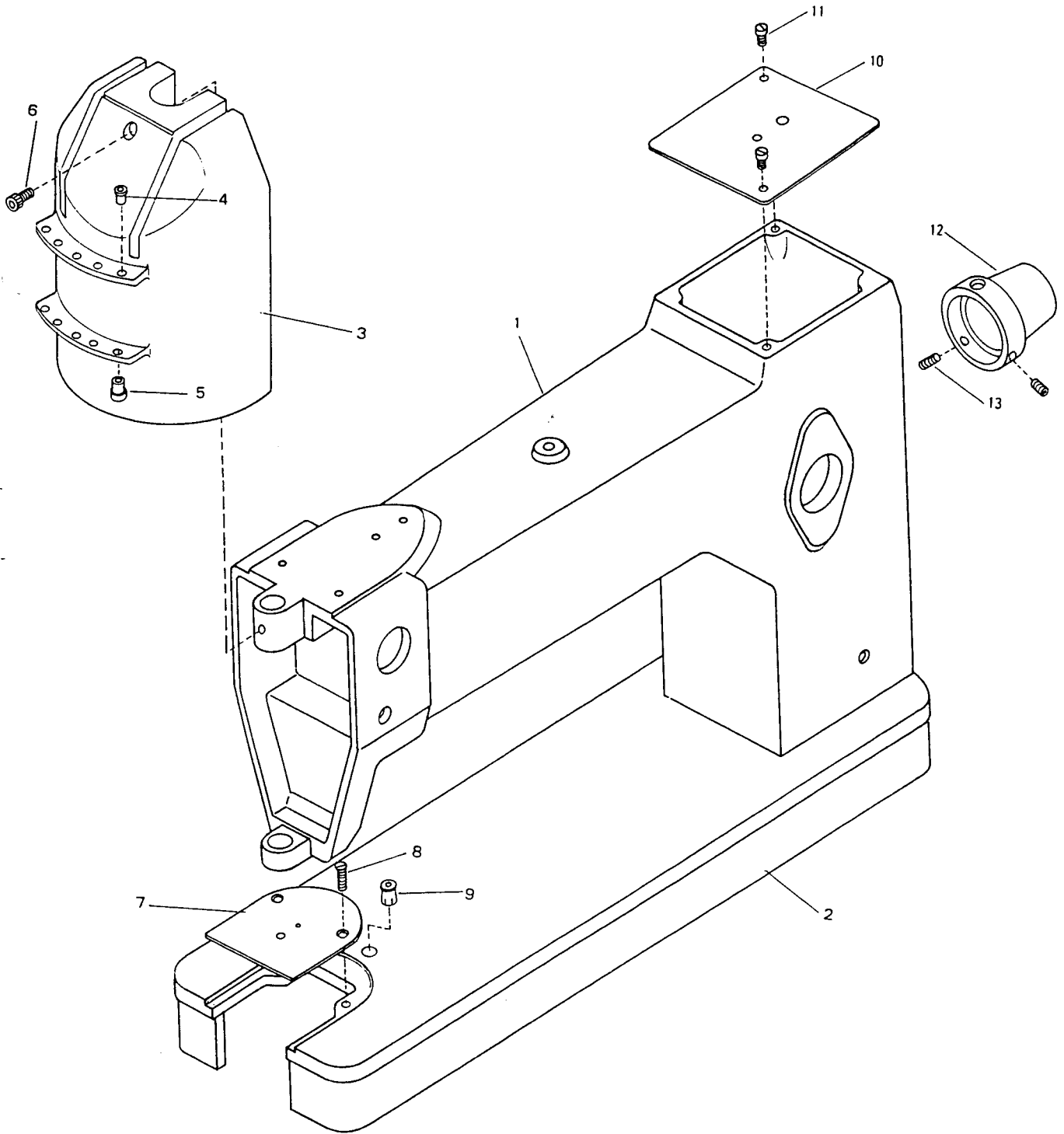
TEL. <0586>77-0404

TELEX 4573267 BARUNA J  
CABLE BARUNA ICHINOMIYA

# BEHJ ELECTRONIC HIGH SPEED EMBROIDERY MACHINE PARTS LIST

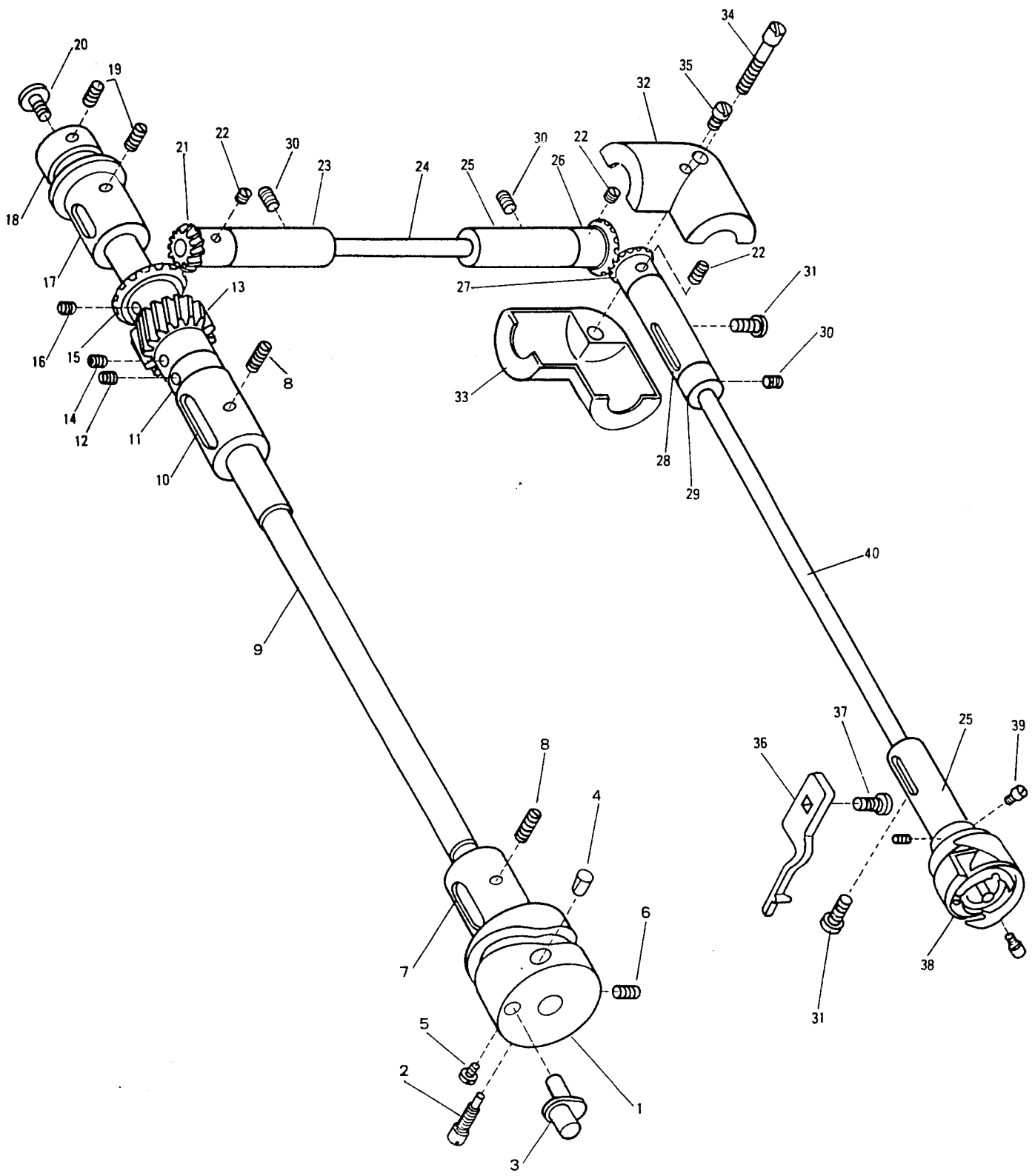
## CONTENTS

SEWING HEAD .....	1
SEWING HEAD DRIVE .....	2
ROTARY COLOUR CHANGE HEAD AND TAKE UP MECHANISM...	3
ROTARY COLOUR CHANGE HEAD AND TAKE UP MECHANISM...	4
JUMP STITCH MECHANISM .....	5
THREAD TENSION ASSEMBLY .....	6
DRIVE MOTOR AND CLUTCH COMPLETE .....	7
DRIVE MOTOR AND CLUTCH EXPLODED VIEW .....	8
ROTARY COLOUR CHANGE SELECTOR ASSEMBLY.....	9
ROTARY COLOUR CHANGE SELECTOR ASSEMBLY.....	10
(EXPLODED VIEW)	
PANTOGRAPH DRIVE MOTOR ASSY AND TIMING BELT .....	11
(BACK/FORWARD MOVEMENT)	
PANTOGRAPH TIMING BELT ASSY .....	12
(BACK/FORWARD MOVEMENT)	
PANTOGRAPH DRIVE MOTOR ASSY AND TIMING BELT .....	13
(LEFT/RIGHT MOVEMENT)	
PANTOGRAPH TIMING BELT ASSY .....	14
(LEFT/RIGHT MOVEMENT)	
ELECTRONIC CONTROLS .....	15
UNDER THREAD STOP MOTION(UTSM)ASSY.....	16
LIGHT FITTINGS, THREAD STAND, AND SUPPORTS.....	17



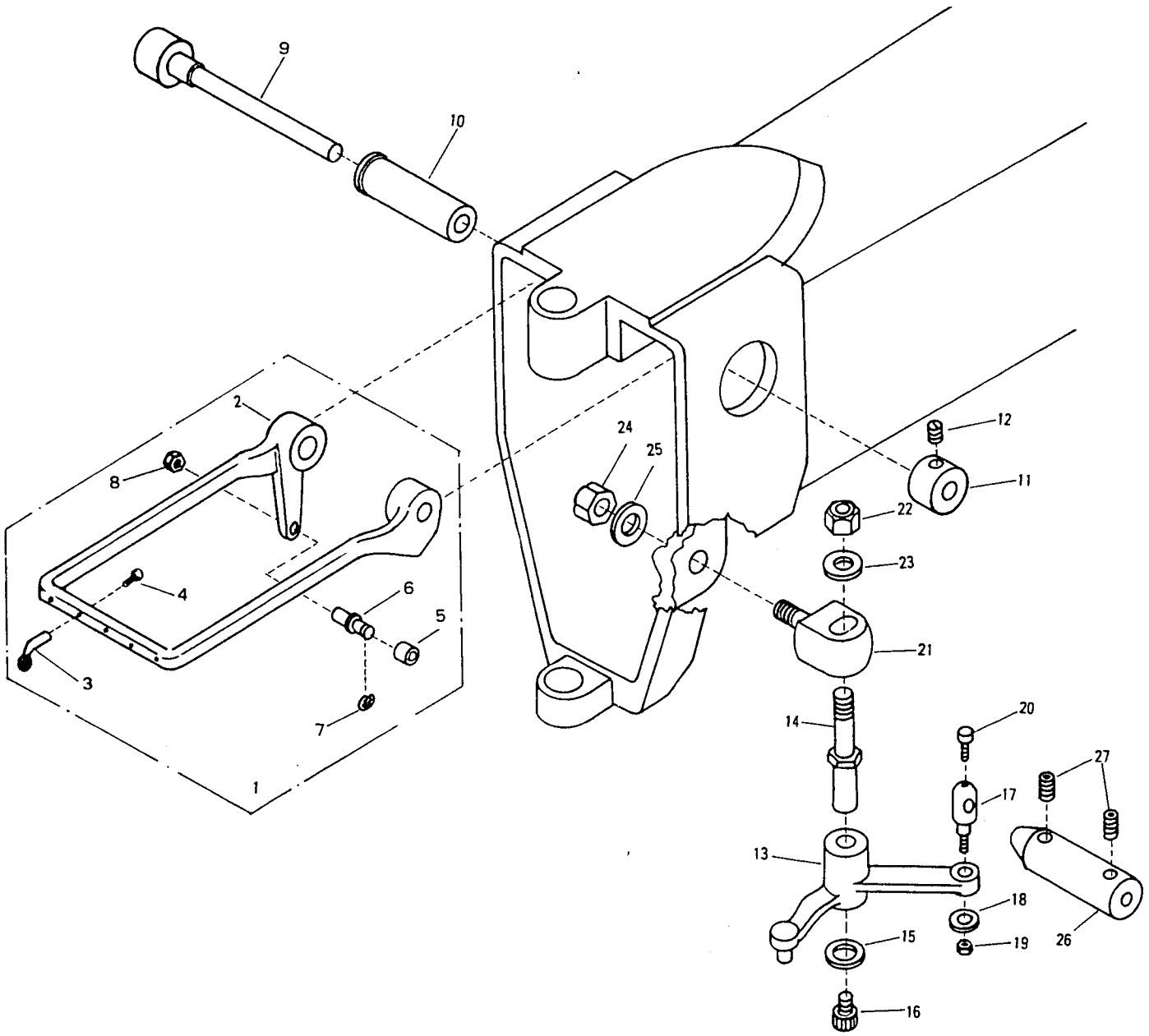
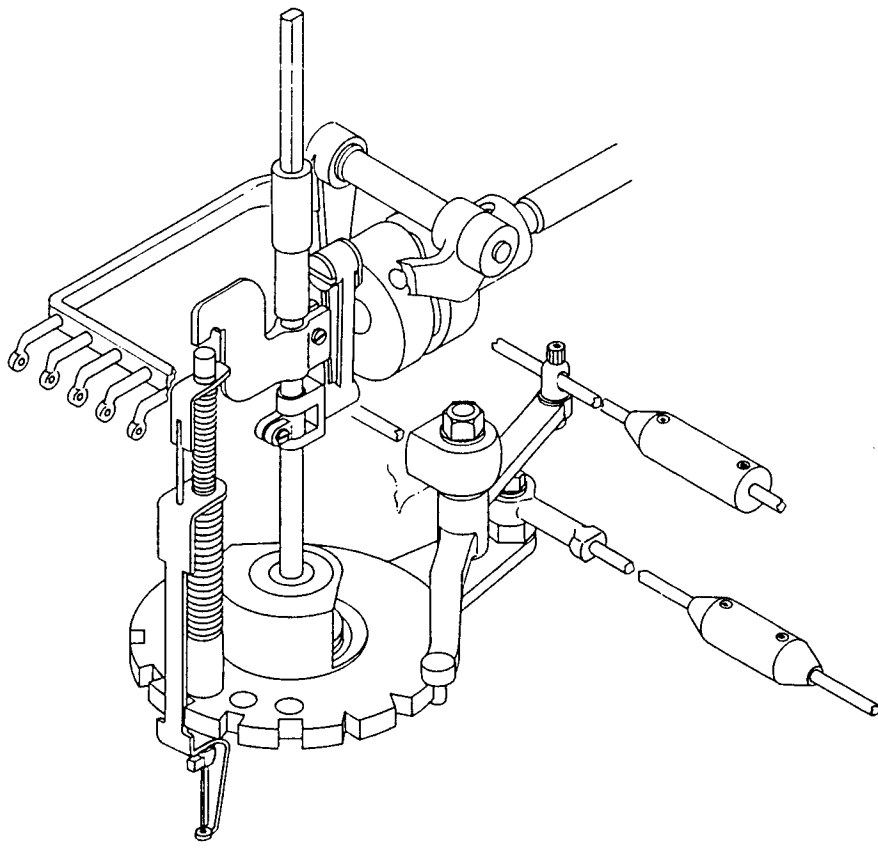
**SEWING HEAD (G)**

No.	Description
1	2111F.....SEWING HEAD
2	2121F.....SEWING HEAD BASE PLATE
3	2512F.....SEWING HEAD COVER
4	2492F.....CREAMIC GUIDE (UPPER)
5	2493F.....CREAMIC GUIDE (LOWER)
6	.....ALAN SCREW
7	2513F.....NEEDLE PLATE
8	.....NEEDLE PLATE SCREW
9	2255F.....DUSTPROOF OILER
10	2516F.....ARM SHAFT GEAR COVER
11	.....RETAINING SCREW FOR G 10
12	2511F.....REAR BEARING COVER
13	.....GRUB SCREW



# SEWING HEAD DRIVE (H)

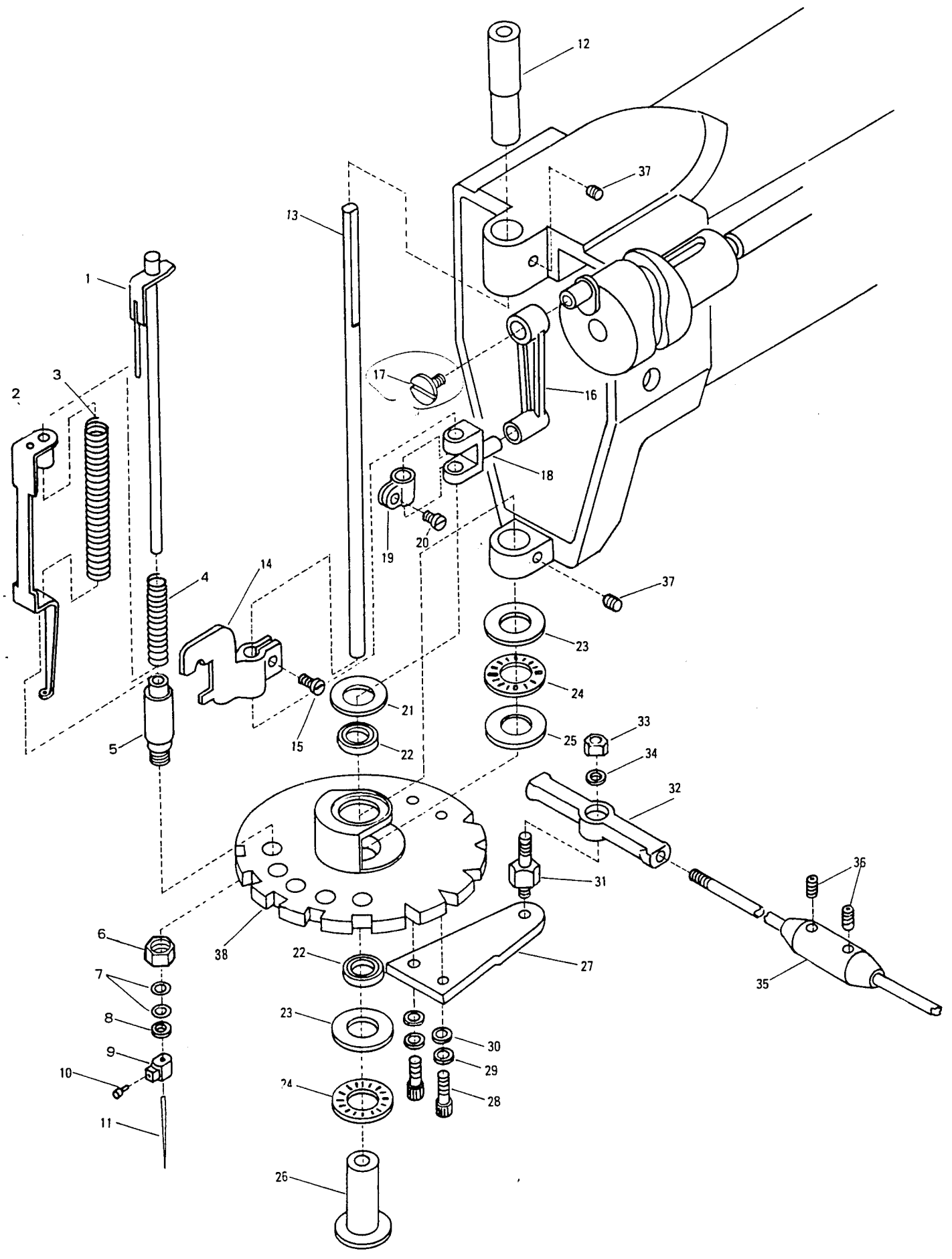
No.	Description
1	2341F.....TAKE UP LEVER CAM
2	2342F.....LOCATING SCREW
3	2343F.....CRANK PIN
4	2344F.....RETAINING PIN FOR H3
5	.....SCREW FOR H4
6	.....GRUB SCREW
7	2214F.....FRONT ARM SHAFT BUSH
8	.....GRUB SCREW
9	2211F.....ARM SHAFT
10	2216F.....ARM SHAFT CENTRE BUSH
11	2218F.....COLLAR
12	.....GRUB SCREW
13	2212F.....HELICAL GEAR
14	.....GRUB SCREW
15	2213F.....BEVEL GEAR (LARGE)
16	.....GRUB SCREW
17	2215F.....REAR BUSH
18	2219F.....COLLAR
19	.....GRUB SCREW
20	2245F.....REAR LOCKING SCREW
21	2246F.....BEVEL GEAR (SMALL)
22	.....GRUB SCREW
23	2224F.....VERTICAL SHAFT BUSH (UPPER)
24	2225F.....VERTICAL SHAFT
25	2223F.....BUSH
26	2247F.....BEVEL GEAR (VERTICAL SHAFT)
27	2248F.....BEVEL GEAR (HOOK SHAFT)
28	2222F.....HOOK SHAFT BUSH (REAR)
29	2229F.....COLLAR
30	.....GRUB SCREW
31	.....SCREW
32	2227F.....GREASE COVER (RHS)
33	2228F.....GREASE COVER (LHS)
34	.....SCREW
35	.....SCREW
36	2251F.....HOOK BASE RETAINING FINGER
37	.....SCREW FOR H36
38	2231F.....SEWING HOOK AND BASE
39	.....SCREW
40	2221F.....HOOK SHAFT



# ROTARY COLOUR CHANGE HEAD AND TAKE UP MECHANISM(J)

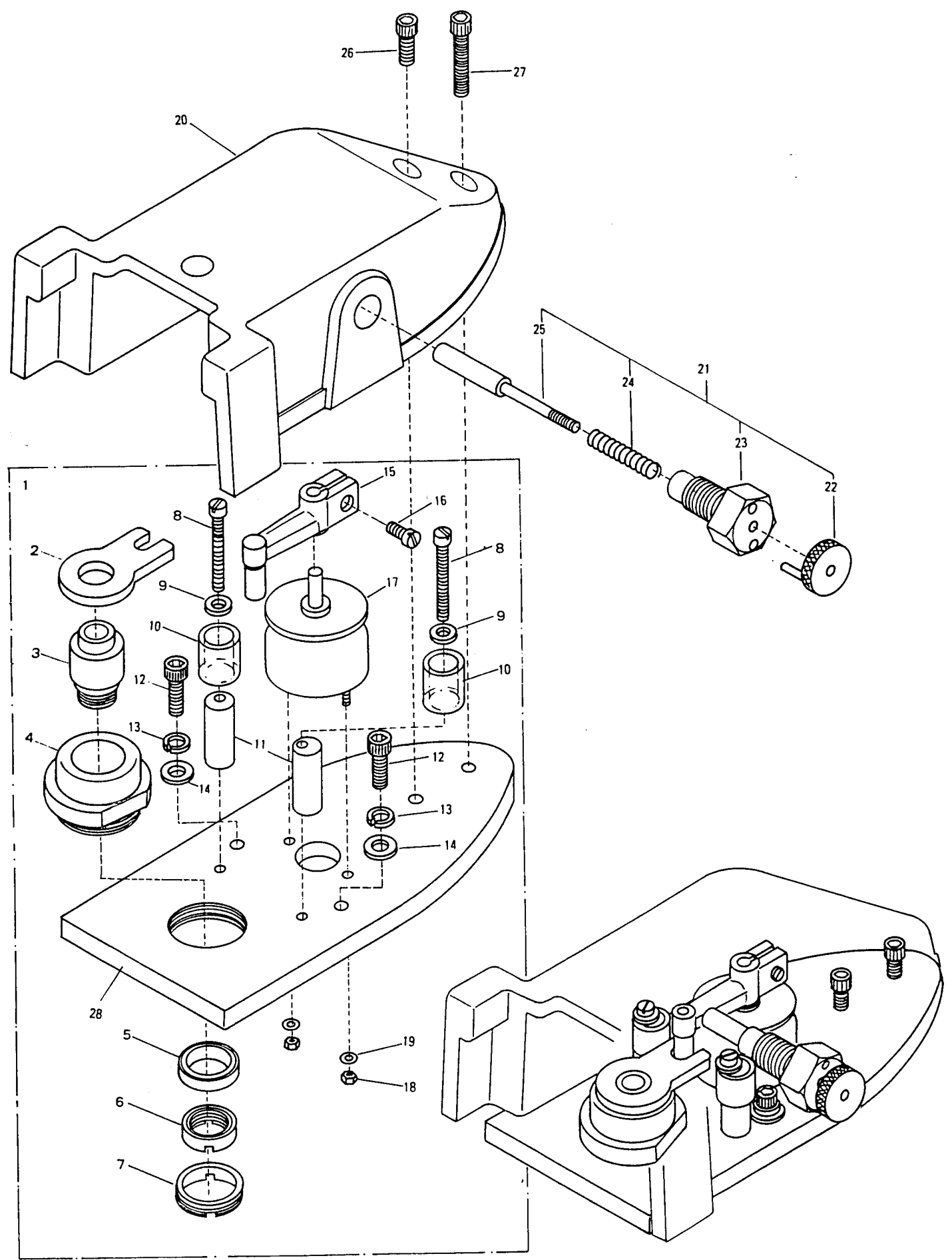
No.	Description
1	2303F.....TAKE UP LEVER ASSY COMPLETE
2	2349F.....TAKE UP LEVER
3	2357F.....CERAMIC THREAD GUIDE
4	2356F.....SCREW FOR J3
5	2353F...ROLLER)
6	2354F...STUD )
7	...CIRCLIP)
8	...NUT )
9	2351F.....TAKE UP LEVER SHAFT
10	2352F.....TAKE UP SPINDLE BUSH
11	2355F.....RETAINING COLLAR
12	.....GRUB SCREW
13	2361F.....LOCK LEVER
14	2363F.....THREADED STUD
15	.....WASHER
16	.....SOCKET SCREW
17	2364F.....LOCK BAR POSITIONING CLAMP
18	.....WASHER
19	.....HEXAGONAL NUT
20	.....SCREW
21	2365F.....LOCK LEVER BRACKET
22	.....HEXAGONAL NUT
23	.....WASHER
24	.....HEXAGONAL NUT
25	.....WASHER
26	3339F.....LOCK BAR HAND GRIP
27	.....GRUB SCREW





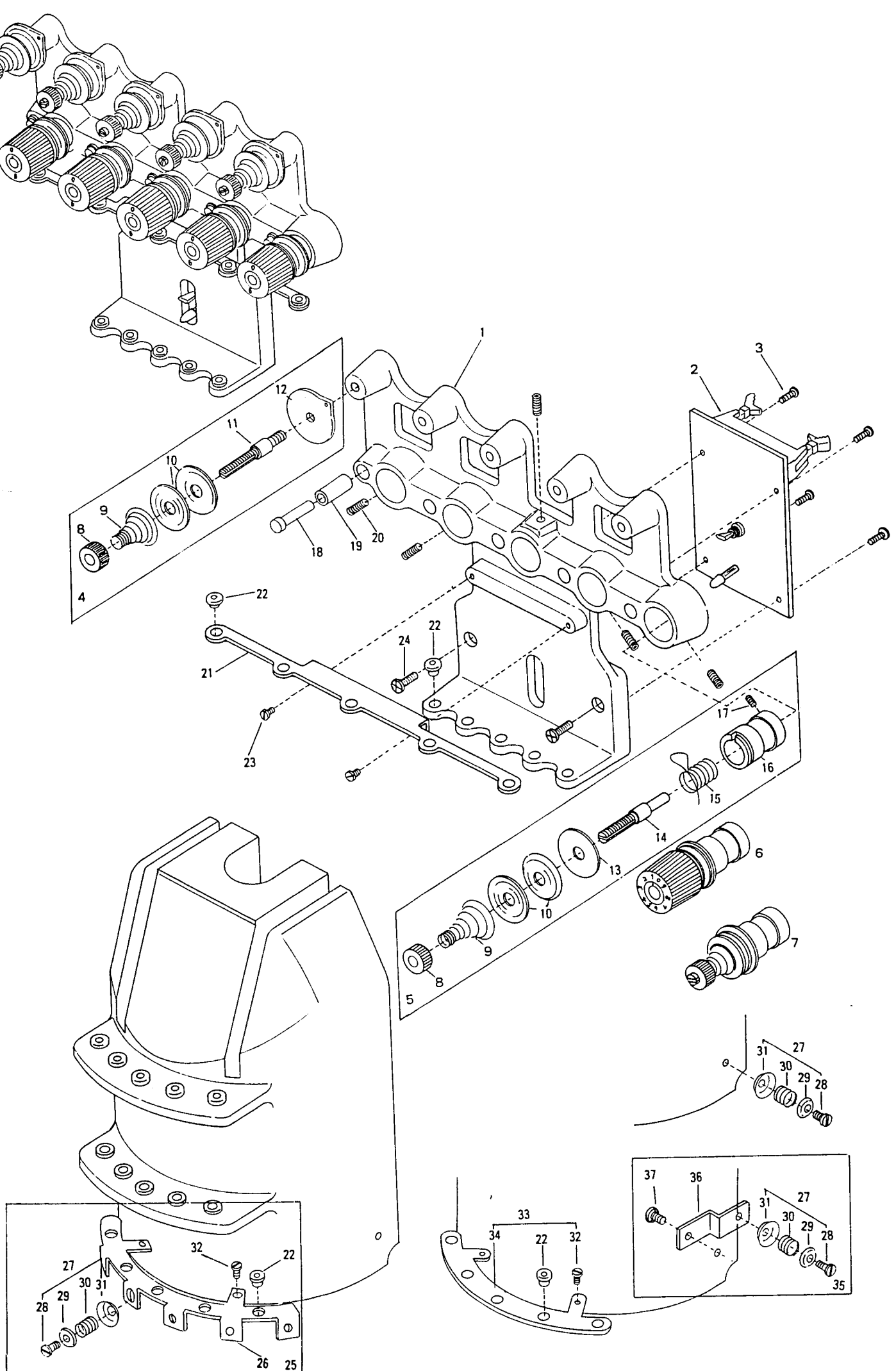
# ROTARY COLOUR CHANGE HEAD AND TAKE UP MECHANISM (K) (EXPLODED VIEW)

No.	Description
1	2301F.....NEEDLE BAR ASSY
2	2302F.....PRESSER FOOT
3	2318F.....NEEDLE BAR SPRING (WIDE)
4	2321F.....NEEDLE BAR SPRING (NARROW)
5	2313F.....THREADED BUSH (TURRET ASSY)
6	.....HEXAGONAL NUT
7	2391F.....NYLON WASHER (THIN)
8	2393F.....NYLON BUSH
9	2323F.....NEEDLE CLAMP
10	.....NEEDLE CLAMP SCREW
11	2325F.....NEEDLE (SPECIFY NEEDLE GAUGE)
12	2332F.....UPPER BUSH
13	2331F.....NEEDLE BAR DRIVER SHAFT
14	2334HJ.....NEEDLE BAR DRIVDR E
15	.....SCREW
16	2346F.....NEEDLE BAR CONNECTING LINK
17	2345F.....SCREW FOR K16
18	2347F.....NEEDLE BAR DRIVING FORK
19	2348F.....NEEDLE SHAFT CLAMP
20	.....SCREW FOR K19
21	2312F.....THRUST RACE WASHER FOR K38
22	SSA-2015F(NMB) ...BEARING SPACER
23	GS-1528 .....GS-1528 THRUST RACE WASHER FOR K24
24	NTB-1528 .....THRUST RACE
25	AS-1528 .....THRUST RACE WASHER FOR K24
26	2333F.....BEARING SHAFT
27	2335F.....TURRET POSITION BRACKET
28	.....ALAN SCREW FOR K27
29	.....SPRING WASHER
30	.....WASHER FOR K28
31	2336F.....PIVOT CONNECTING STUD
32	RD4020(NMB) ...PIVOT COUPLING
33	.....NUT FOR K31
34	.....WASHER FOR K31
35	3338F.....COLOUR CHANGE ROD HAND GRIP
36	.....GRUB SCREW
37	.....GRUB SCREW FOR K12 AND K26
38	2311F.....NEEDLE BAR TURRET PLATE



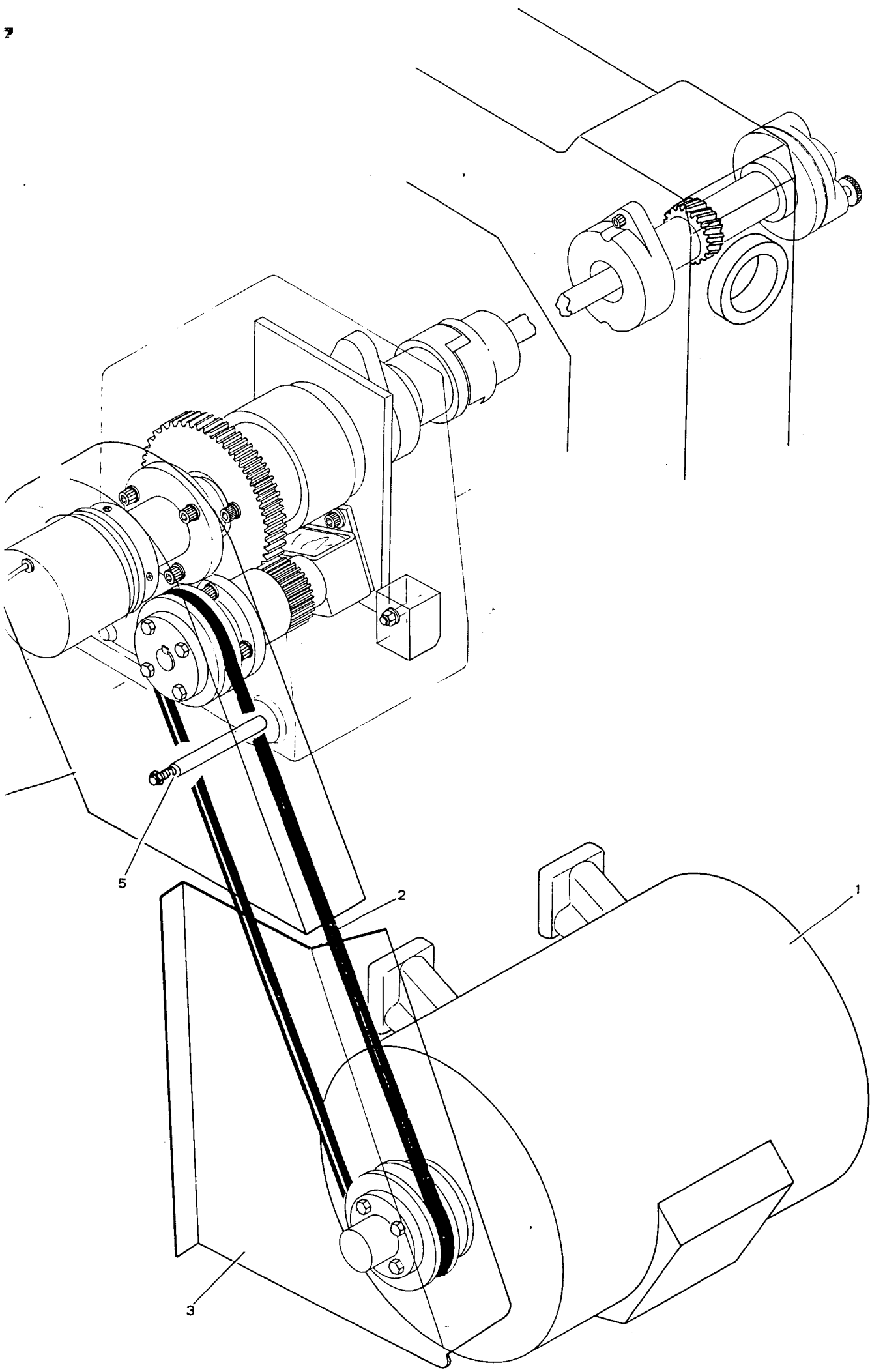
# JUMP STITCH MECHANISM(L)

No.	Description
1	2402F.....JUMP STITCH MECHANISM COMPLETE
2	2443F.....ACTUATING LEVER
3	2444F.....BUSH
4	2445F.....GUIDE BUSH
5	A2015(NMB).....BALL RACE
6	2447F.....ROUND NUT
7	2446F.....ROUND NUT
8	.....SCREW
9	.....WASHER
10	2449F.....NYLON STOP
11	2448F.....ADJUSTABLE ECCENTRIC FOR STOP
12	.....SCREW
13	.....SPRING WASHER
14	.....WASHER
15	2442F.....LEVER
16	.....SCREW FOR L15
17	2461F.....ROTARY SOLENOID
18	.....NUT FOR L17
19	.....WASHER FOR L18
20	2451HJ.....COVER JUMP STITCH MECHANISM
21	2403F.....HEAD ISOLATOR ASSY
22	2452F.....CLUTCH RELEASE PIN
23	2455F.....ISOLATOR PIN RETAINING BOLT
24	2456F.....SPRING FOR L21
25	2453F.....HEAD ISOLATOR ACTUATING PIN
26	.....SCREW (SHORT)
27	.....SCREW (LONG)
28	.....SOLENOID BRACKET BASE



# THREAD TENSION ASSEMBLY (M)

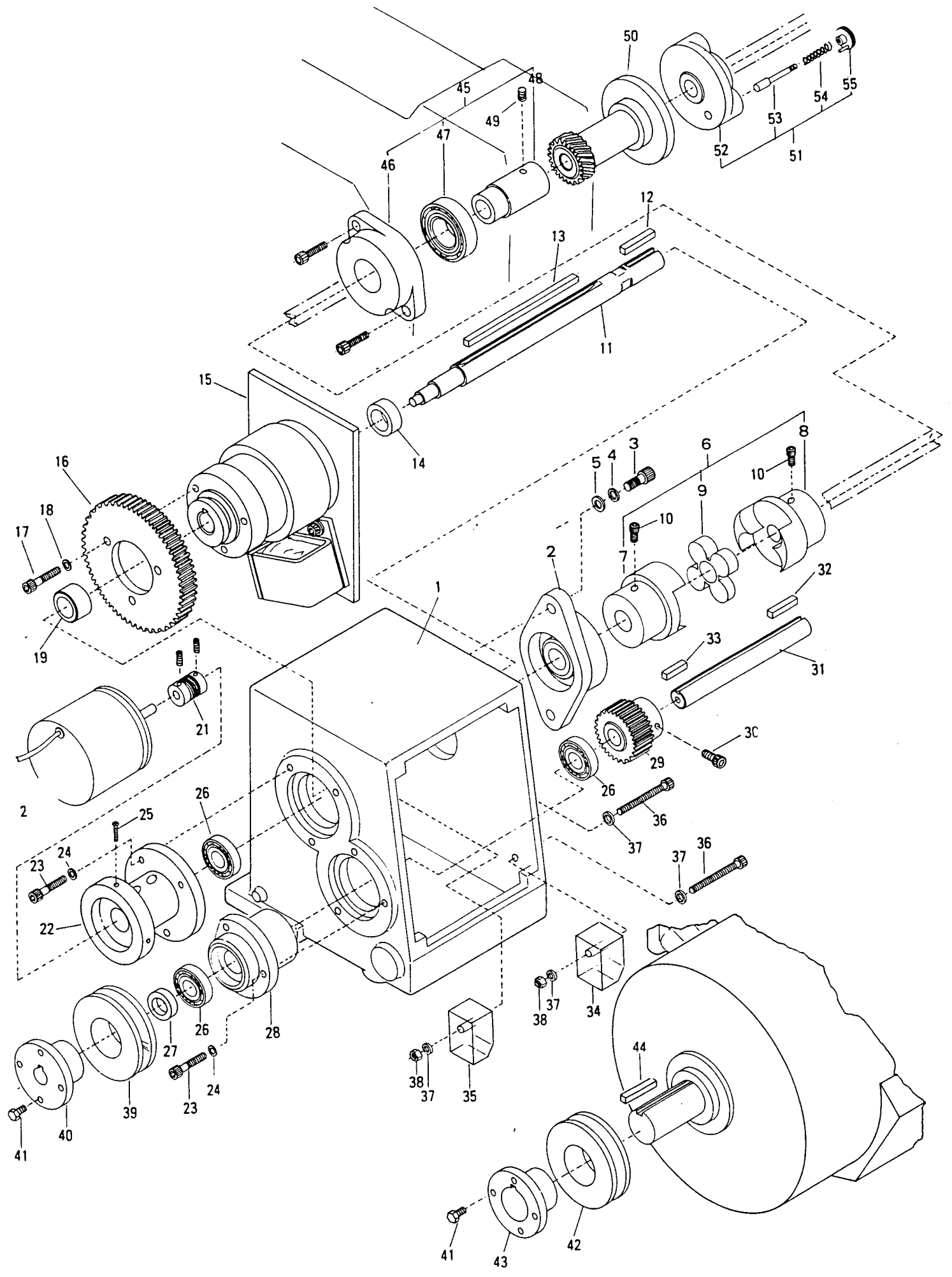
No.	Description
1	2411HJ .....THREAD TENSION ASSY BRACKET
2	5118HJ .....THREAD BREAK PCB
3	.....SCREW FOR 2
4	2406F.....UPPER TENSION UNIT COMPLETE
5	2407F.....LOWER TENSION UNIT COMPLETE
6	2401HJ .....LOWER TENSION UNIT ASSEMBLED
7	2408F.....UPPER TENSION UNIT ASSEMBLED
8	2471F.....ADJUSTING NUT UPPER AND LOWER
9	2436H.....THREAD TENSION SPRING
10	2425F.....THREAD TENSION DISCS
11	2416F.....THREAD TENSION POST (UPPER)
12	2427F.....TENSION DISC PLASTIC INSULATOR (UPPER)
13	2475F.....TENSION DISC PLASTIC INSULATOR (LOWER)
14	2417F.....THREAD TENSION POST (LOWER)
15	2481F.....CHECK SPRING
16	2477F.....TENSION SPRING HOLDER
17	.....GRUB SCREW
18	2431F.....STOP MOTION CONTACT
19	2432F.....INSULATOR
20	.....SCREW
21	.....TOP THREAD GUIDE BAR
22	2433F.....THREAD GUIDE (CERAMIC)
23	2491F.....SCREW FOR M21
24	.....SCREW FOR M1
25	2501F.....THREAD END TRAP UNIT ASSY
26	2521F.....THREAD END TRAP BASE PLATE
27	2520F.....INDIVIDUAL THREAD END TRAP COMPLETE
28	2525F.....SCREW FOR M27
29	2523F.....WASHER FOR M27
30	2524F.....SPRING FOR M27
31	2522F.....THREAD TRAP DISC
32	.....SCREW TRAP DISC
33	2502F.....THRED END TRAP UNIT ASSY (OLD UNIT)
34	2531F.....THREAD END TRAP BASE PLATE
35	2530F.....INDIVIDUAL THREAD END TRAP COMPLETE
36	2526F.....STAY
37	.....SCREW



# DRIVE MOTOR AND CLUTCH COMPLETE (N)

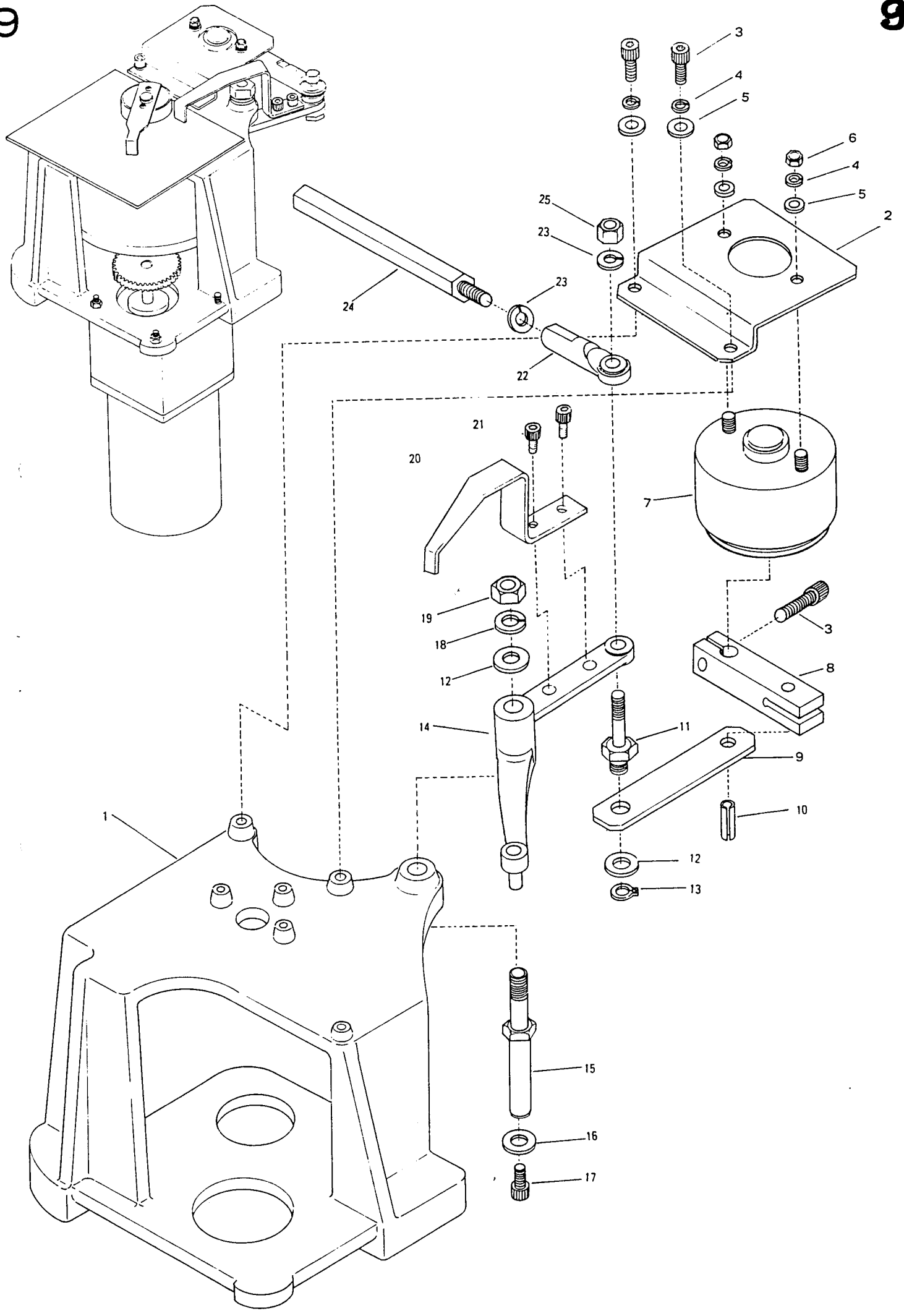
No.	Description
1	3111HJ .....DRIVE MOTOR (3 PHASE)
	3112HJ ..... // (1 PHASE)
2	3141HJ .....DRIVE BELT
3	3161HJ .....DRIVE BELT CASING (LOWER)
4	3162HJ .....DRIVE BELT CASING (UPPER)
5	3164HJ .....DRIVE BELT CASING SPACER STUD





# DRIVE MOTOR AND CLUTCH EXPLODED VIEW (P)

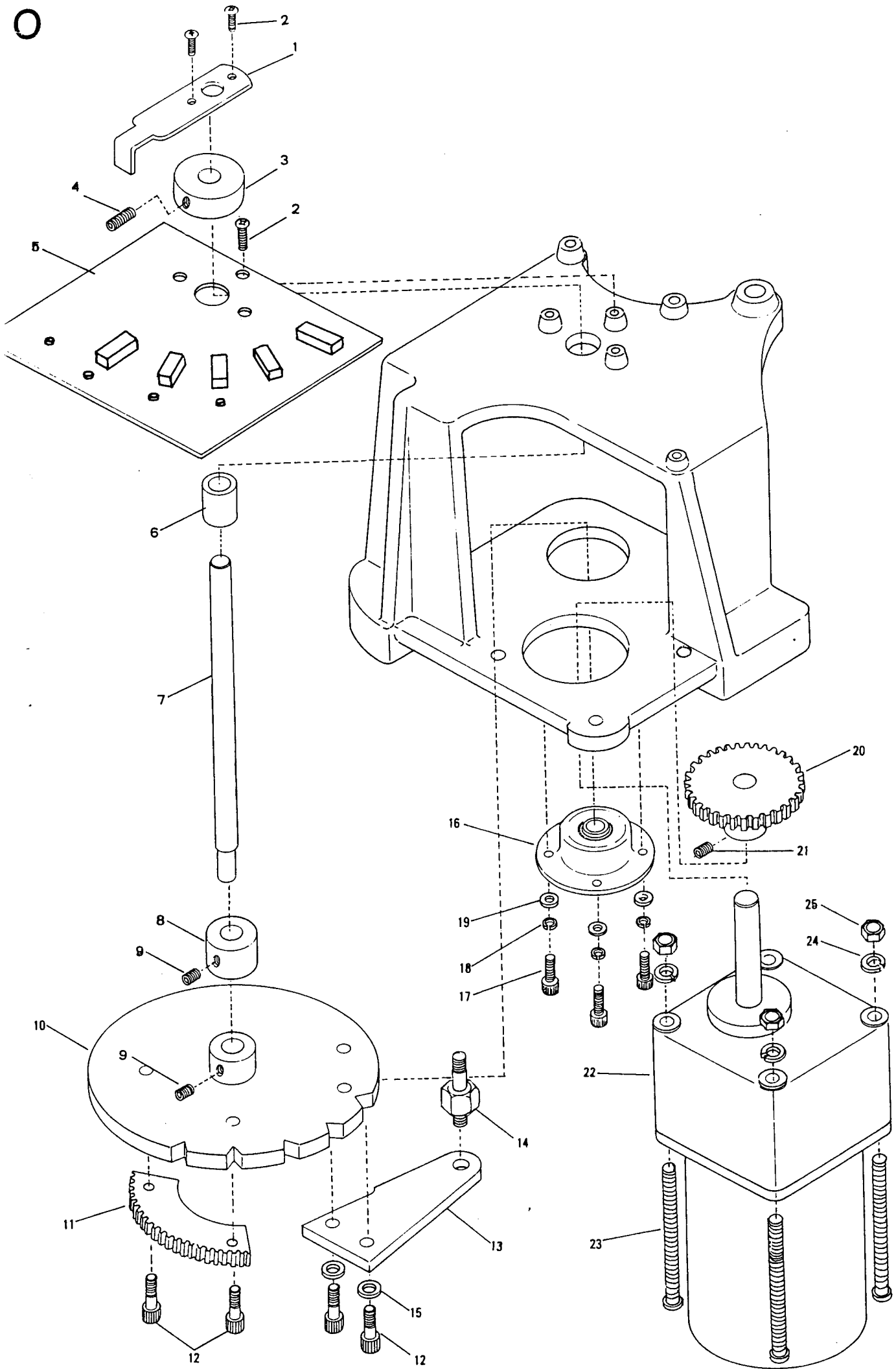
No.	Description
1	3145HJ .....CASING CLUTCH ASSY
2	204J(FYH) .....FLANGE
3	.....BOLT
4	.....SPRING WASHER
5	.....WASHER
6	3102HJ .....DRIVE SHAFT COUPLING ASSY
7	3165HJ .....COUPLING RHS
8	3166HJ .....COUPLING LHS
9	3167HJ .....NYLON BUSH (STAR)
10	.....GRUB SCREW
11	3151HJ .....DRIVE SHAFT
12	3153HJ .....KEYWAY FOR P11 (SHORT)
13	3152HJ .....KEYWAY FOR P11 (LONG)
14	3154HJ .....BUSH FOR P11
15	3101HJ .....CLUTCH ASSY CB6
16	3148HJ .....DRIVE GEAR (LARGE DRIVE SHAFT)
17	.....ALAN SCREW
18	.....WASHER
19	3149HJ .....BUSH
20	5121HJ .....ANGLE POSITION CODER
21	<u>5122HJ</u> .....CODER COUPLING
22	3146HJ .....FLANGE FOR UPPER GEAR
23	.....ALAN SCREW FOR P22
24	.....WASHER FOR P22
25	.....SCREW
26	<u>6902Z</u> .....ROLLER BEARING
27	3139HJ .....BUSH (PULLEY SPINDLE)
28	3147HJ .....FLANGED BEARING HOUSING
29	3156HJ .....DRIVE GEAR (SMALL, PULLEY SPINDLE)
30	.....ALAN SCREW
31	3155HJ .....PULLEY SPINDLE
32	3157HJ .....KEYWAY
33	3138HJ .....KEYWAY
34	3158HJ .....MOUNTING BLOCK LHS
35	3159HJ .....MOUNTING BLOCK RHS
36	.....ALAN SCREW
37	.....WASHER
38	.....NUT
39	3131HJ .....PULLEY (UPPER, CLUTCH ASSY)
40	3135HJ .....OUTER FLANGE (PULLEY SPINDLE)
41	.....BOLT
42	3131HJ .....MOTOR PULLEY (3PHASE 60 HZ)
	3122HJ ..... // (3PHASE 50 HZ)
	3128HJ ..... // (1PHASE 60 HZ)
	3129HJ ..... // (1PHASE 50 HZ)
43	3133HJ .....FLANGE FOR P42 (3 PHASE 60 HZ)
	3134HJ ..... // (3 PHASE 50 HZ)
44	3136HJ .....KEYWAY (3 PHASE 60 HZ)
	3137HJ ..... // (3 PHASE 50 HZ)
	3138HJ ..... // (1 PHASE 50/60 HZ)
45	32024F .....BEARING AND SPACER ASSY
46	3225F .....FLANGE
47	NTN620 .....ROLLER BEARING
48	3226F .....BUSH
49	.....GRUB SCREW
50	3226F .....HELICAL GEAR
51	3201F .....CLUTCH ASSY INDIVIDUAL HEAD
52	3221F .....CLUTCH
53	3222F .....CLUTCH PIN
54	2456F .....SPRING FOR P51
55	2452F .....CLUTCH PIN CAP



# ROTARY COLOUR CHANGE SELECTOR ASSEMBLY (R)

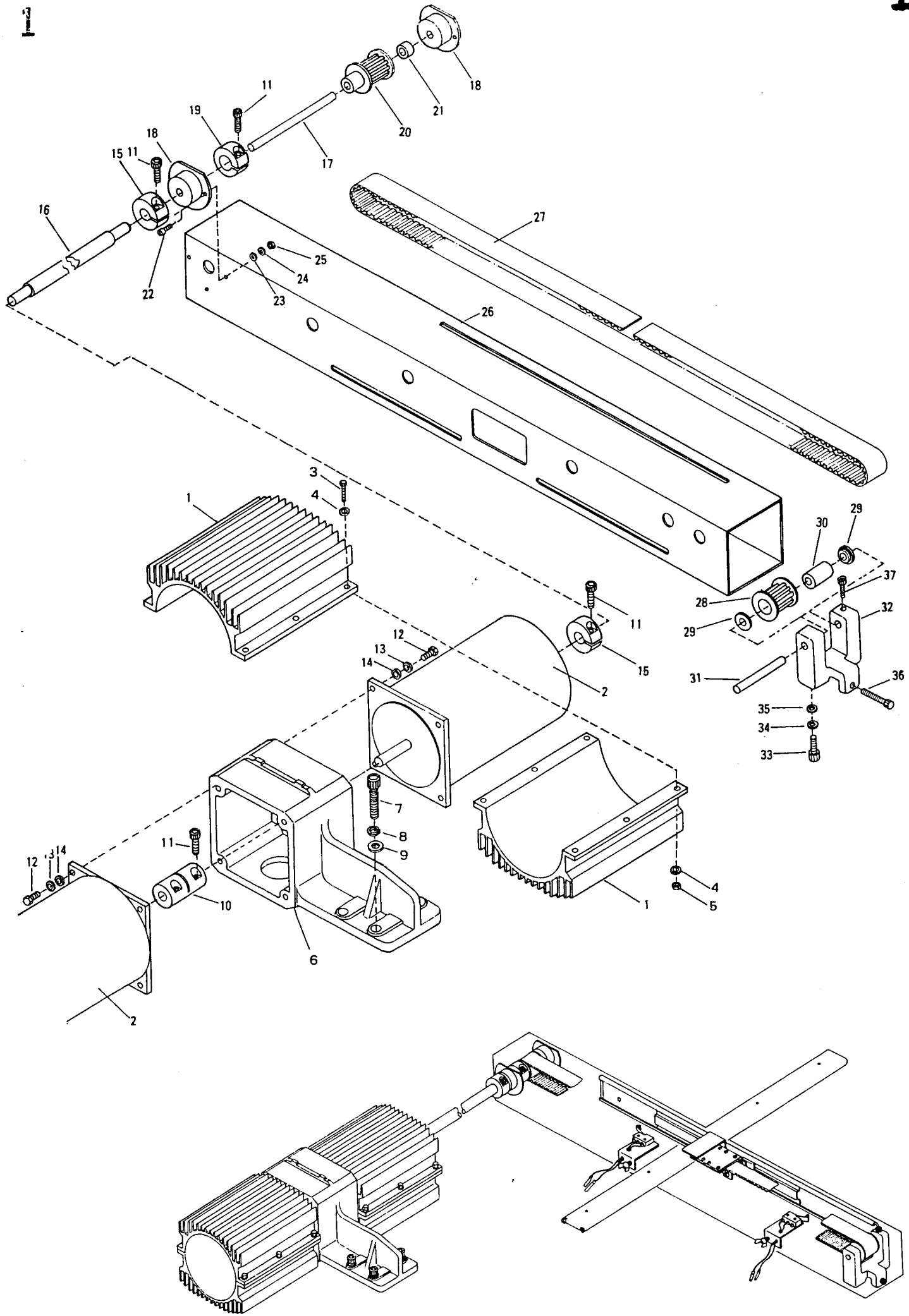
No.	Description
1	3313HJ .....BASE ROTARY COLOUR CHANGE ASSY
2	3326HJ .....ROTARY SOLENOID MOUNTING
3	.....ALAN SCREW
4	.....SPRING WASHER
5	.....WASHER
6	.....HEXAGONAL NUT
7	3385HJ .....ROTARY SOLENOID
8	3324HJ .....LINKAGE (LARGE)
9	3325HJ .....LINKAGE PLATE
10	J .....CIRCULAR SPRING PIN
11	3323HJ .....THREADED STUD
12	.....WASHER
13	.....CIRCLIP
14	2361F.....LOCK LEVER
15	2363F.....THREADED PIVOT STUD
16	.....WASHER
17	.....WASHER ALAN SCREW
18	.....SPRING WASHER
19	.....HEXAGONAL NUT
20	3329HJ .....LOCK CONFIRMATION LEVER
21	.....ALAN SCREW
22	CRB6(NMB) .....UNIBALL COUPLING
23	.....SPRING WASHER
24	3351HJ .....HEXAGON CONNECTING ROD
25	.....HEXAGON NUT

O



# ROTARY COLOUR CHANGE SELECTOR ASSEMBLY(S) (EXPLODED VIEW)

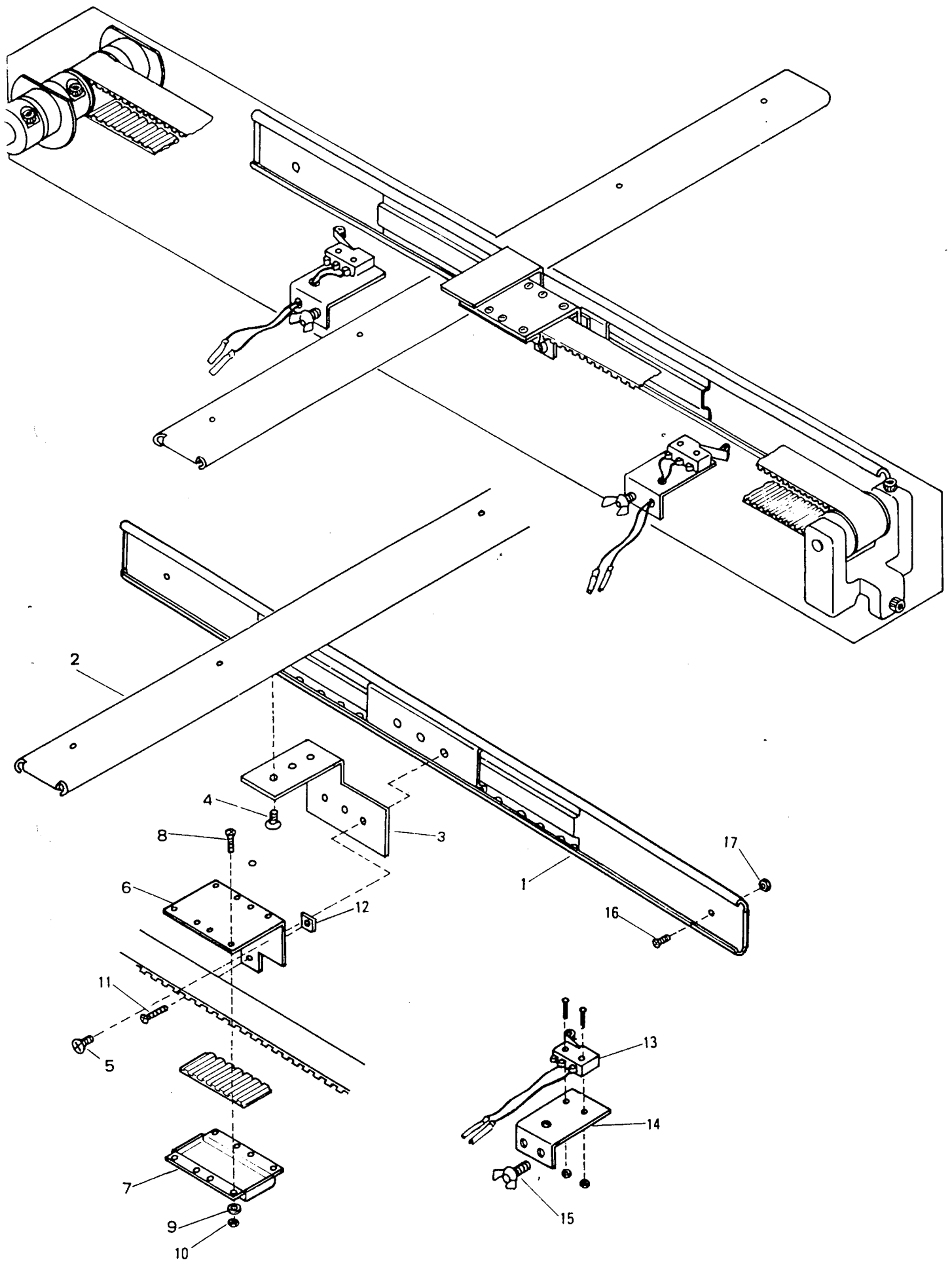
No.	Description .
1	3328HJ .....COLOUR CHANGE CONFIRMATION LEVER
2	.....SCREW
3	3317HJ .....BUSH
4	.....GRUB SCREW
5	5114HJ .....NEEDLE POSITION SENSOR UNIT
6	3319HJ .....BUSH
7	3316HJ .....SPINDLE
8	3318HJ .....BUSH
9	.....GRUB SCREW
10	3315HJ .....COLOUR CHANGE TURRET
11	3322HJ .....GEAR (LARGE)
12	.....ALAN SCREW
13	2335F.....FLANGE PLATE FOR TURRET
14	2336F.....JOINT PIN
15	.....WASHER
16	3361HJ .....CLUTCH PLATE
17	.....ALAN SCREW
18	.....SPRING WASHER
19	.....WASHER
20	3321HJ .....GEAR (SMALL)
21	.....GRUB SCREW
22	3381HJ .....REDUCTION GEAR BOX
23	.....BOLT
24	.....SPRING WASHER
25	.....HEXAGON NUT



# PANTOGRAPH DRIVE MOTOR ASSY AND TIMING BELT (T) (BACK/FORWARD MOVEMENT)

No.	Description
1	4712H.....FINNED MOTOR COVER
2	4711H.....STEPPING MOTOR
3	.....BOLT
4	.....WASHER
5	.....NUT
6	4715HJ .....MOTOR MOUNTING
7	.....ALAN SCREW
8	.....SPRING WASHER
9	.....WASHER
10	4717H.....CONNECTING BUSH
11	.....ALAN SCREW
12	.....BOLT
13	.....SPRING WASHER
14	.....WASHER
15	4718H.....BUSH
16	4721HJ .....TIMING BELT SPINDLE
	4722HJ ..... //
	4723HJ ..... //
	4724HJ ..... //
17	4759HJ .....PULLEY SPINDLE
18	4757HJ .....END CAP
19	4719HJ .....BUSH
20	4752HJ .....TOOTHED ROLLER
21	4762HJ .....COLLAR
22	.....BOLT X3
23	.....WASHER
24	.....SPRING WASHER
25	.....NUT
26	4731HJ .....TIMING BELT COVER (RIGHT)
	4732HJ ..... // (LEFT)
27	4735HJ .....PANTOGRAPH TIMING BELT
28	4751HJ .....TOOTHED ROLLER BEARING
29	4756HJ .....WASHER
30	TA820(1 KO).....BUSH
31	4738HJ .....SPINDLE
32	4737HJ .....BRACKET
33	.....ALAN SCREW
34	.....SPRING WASHER
35	.....WASHER
36	.....BOLT
37	.....ALAN SCREW

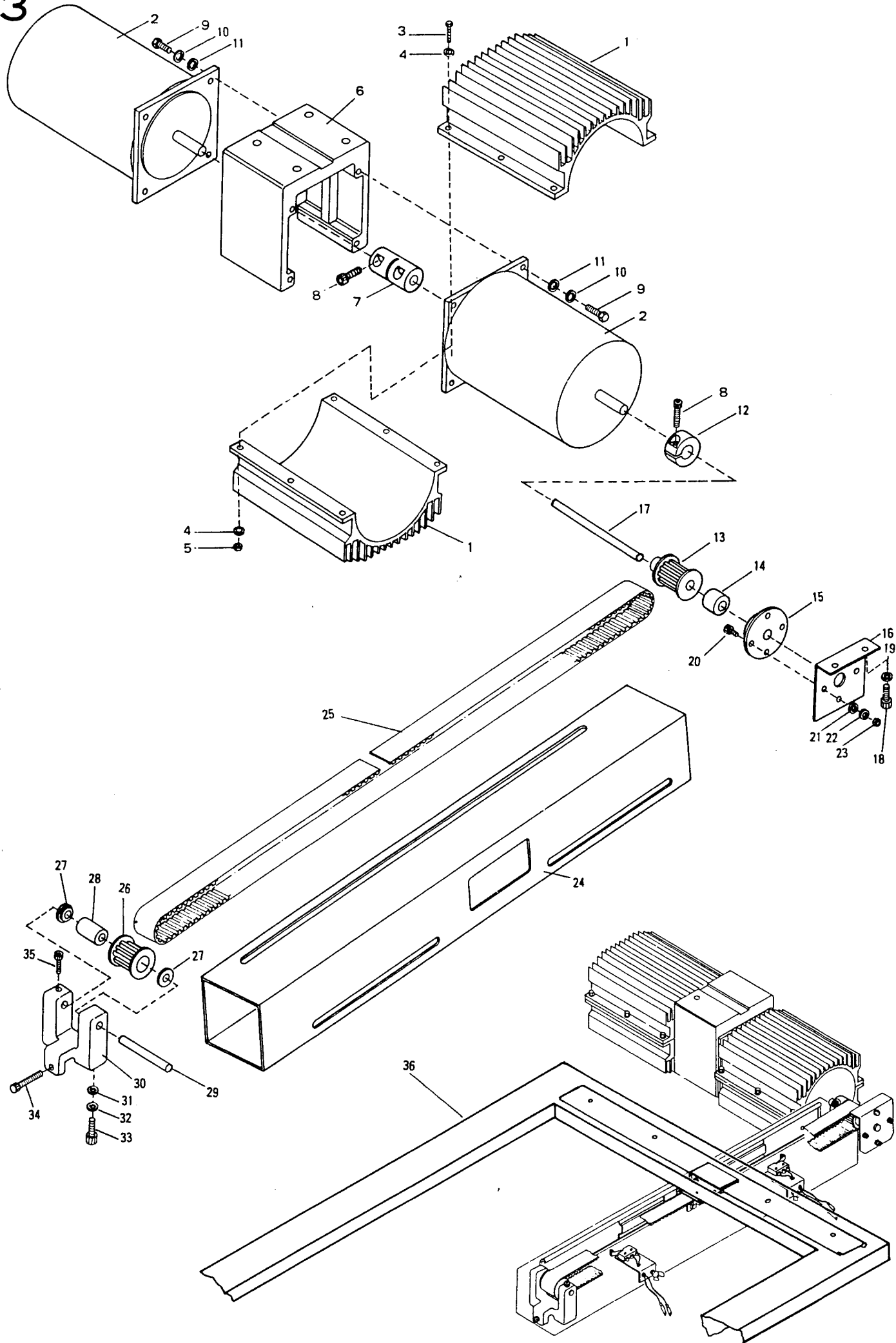




# PANTOGRAPH TIMING BELT ASSY (U)

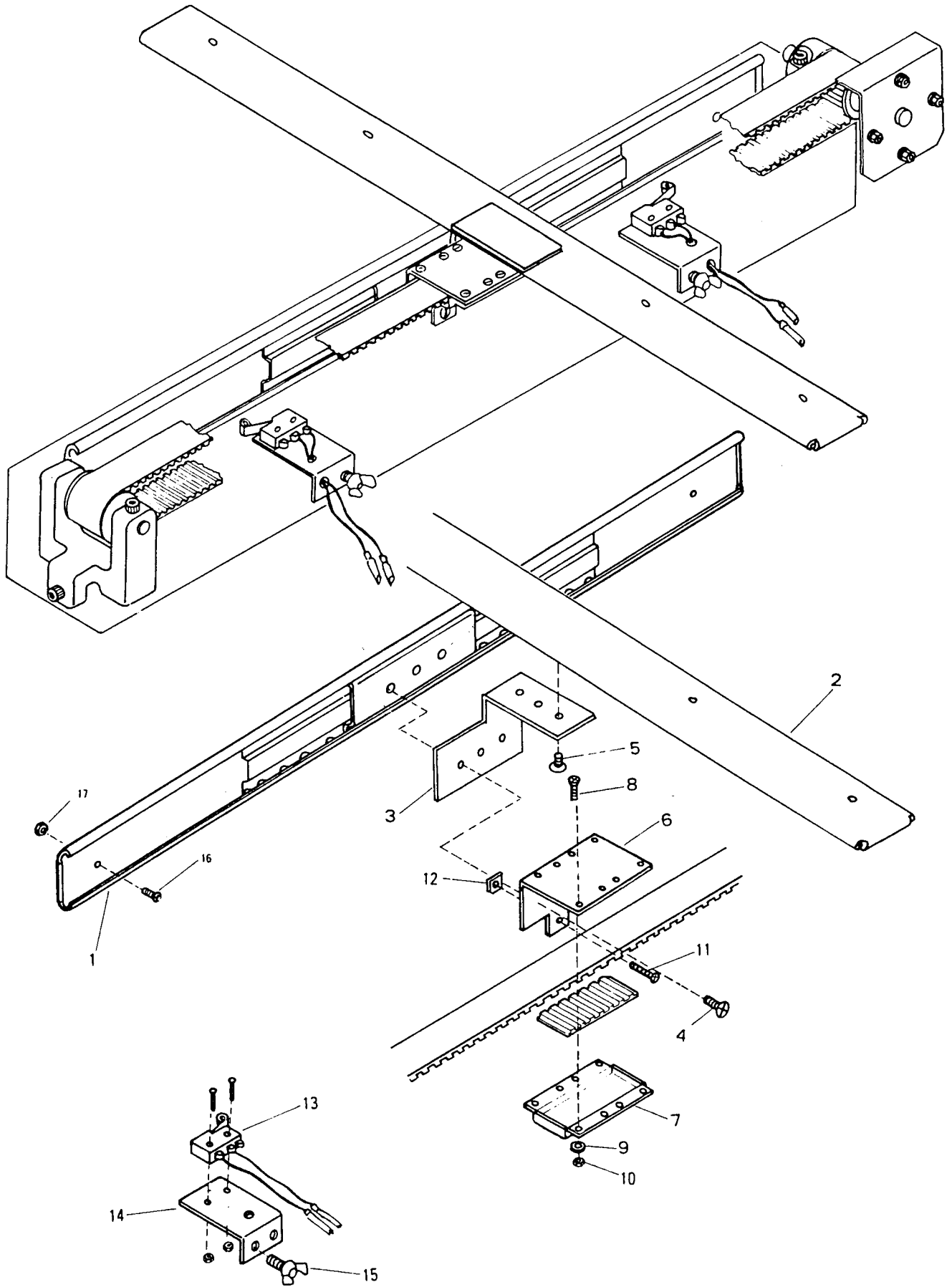
## (BACK/FORWARDS MOVEMENT)

No.	Description
1	4701HJ .....PANTOGRAPH TIMING BELT TRACK
2	4702HJ .....FIXING PLATE (352)
	4704HJ ..... // (505)
<del>3</del>	<del>4727HJ .....FIXING BRACKET (RIGHT)</del> <i>see — P.14</i>
3	4728HJ ..... // (LEFT)
4	.....SCREW
5	.....SCREW
6	4725HJ .....TIMING BELT CLAMP (UPPER)
7	4726HJ .....TIMING BELT CLAMP (LOWER)
8	.....SCREW
9	.....WASHER
10	.....NUT
11	.....SCREW
12	.....WASHER (SQUARE)
13	4511HJ .....FRAME LIMIT MICROSWITCH
14	4512HJ .....MOUNTING PLATE
15	.....WING NUT
16	.....SCREW
17	.....NUT



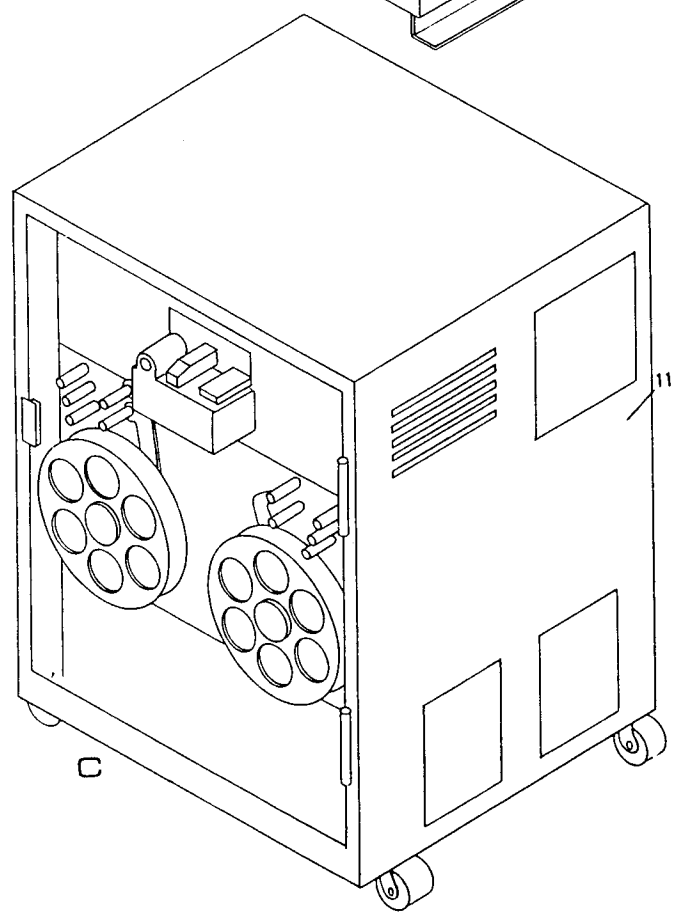
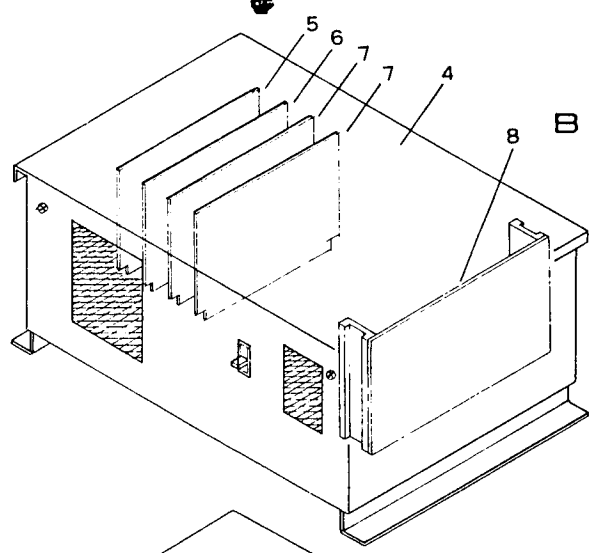
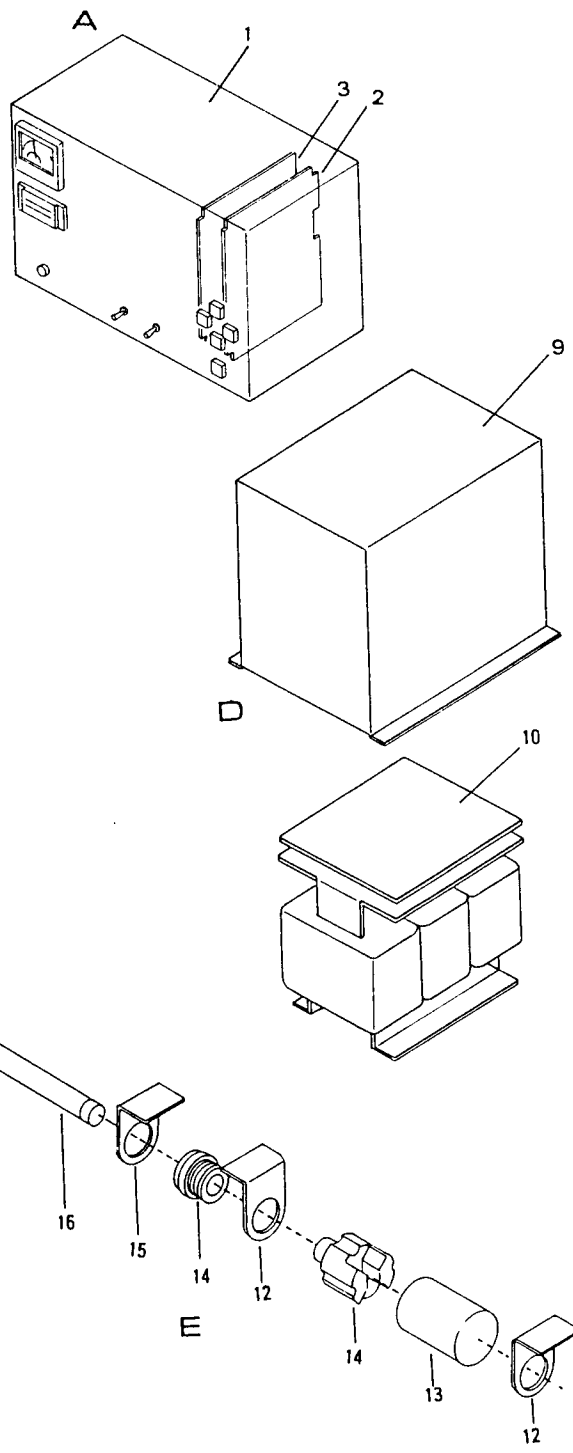
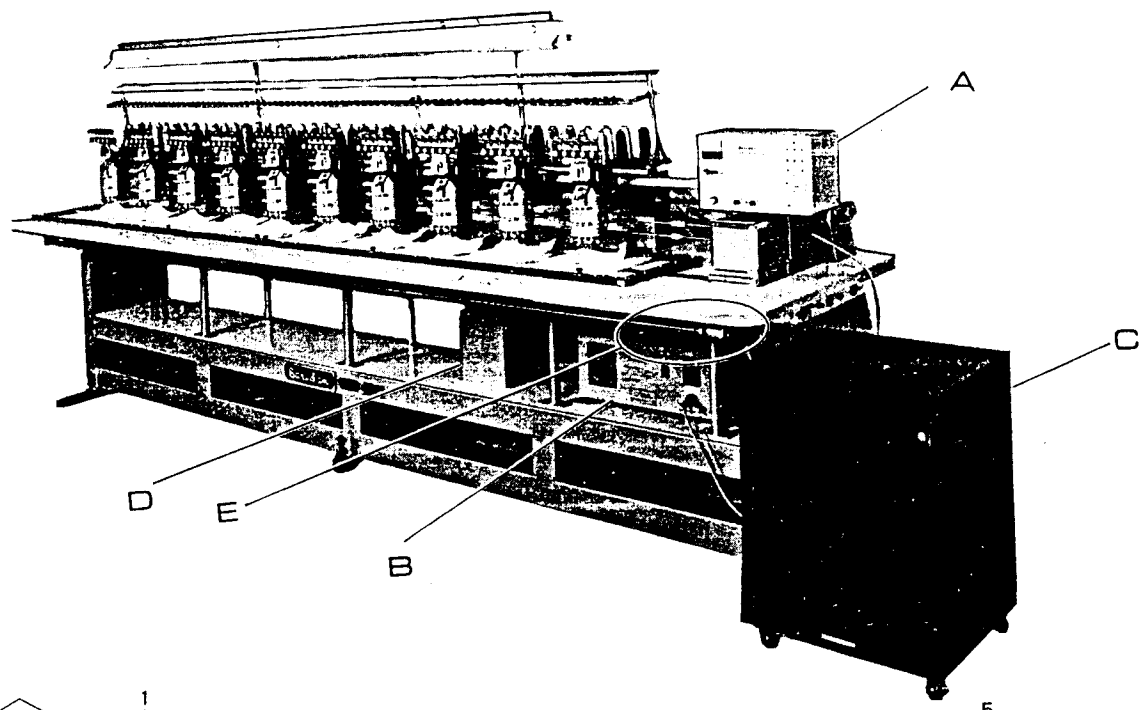
# PANTOGRAPH DRIVE MOTOR ASSY AND TIMING BELT (V) (LEFT/RIGHT MOVEMENT)

No.	Description
1	4712H.....FINNED MOTOR COVER
2	4711H.....STEPPING MOTOR
3	.....BOLT
4	.....WASHER
5	.....NUT
6	4716HJ .....MOTOR MOUNTING
7	4717H.....CONNECTING BUSH
8	.....ALAN SCREW
9	.....BOLT
10	.....SPRING MOTOR
11	.....WASHER
12	4767HJ.....BUSH
13	4753HJ .....TOOTHED ROLLER
14	4763HJ .....COLLAR
15	4758HJ .....END CAP
16	4729HJ .....ANGLE BRACKET
17	4761HJ .....SPINDLE
18	.....SCREW
19	.....WASHER
20	.....SCREW
21	.....SPRING WASHER
22	.....WASHER
23	.....NUT
24	4733HJ .....TIMING BELT COVER (8,10,12head)
	4734HJ ..... // (6,8,10head)
25	4736HJ .....PANTOGRAPH TIMING BELT (V,8,10,12head)
	4739HJ ..... // (V6 head)
26	4751HJ .....TOOTHED ROLLER
27	4756HJ .....WASHER
28	TA820(1KO).....BUSH
29	4738HJ .....SPINDLE
30	4737HJ .....BRACKET
31	.....WASHER
32	.....SPRING WASHER
33	.....ALAN SCREW
34	.....BOLT
35	.....ALAN SCREW
36	4510HJ .....PANTOGRAPH ( 6 head)
	4520HJ ..... // ( 8 head)
	4530HJ ..... // (10 head)
	4540HJ ..... // (12 head)



# PANTOGRAPH TIMING BELT ASSY (W) (LEFT/RIGHT MOVEMENT)

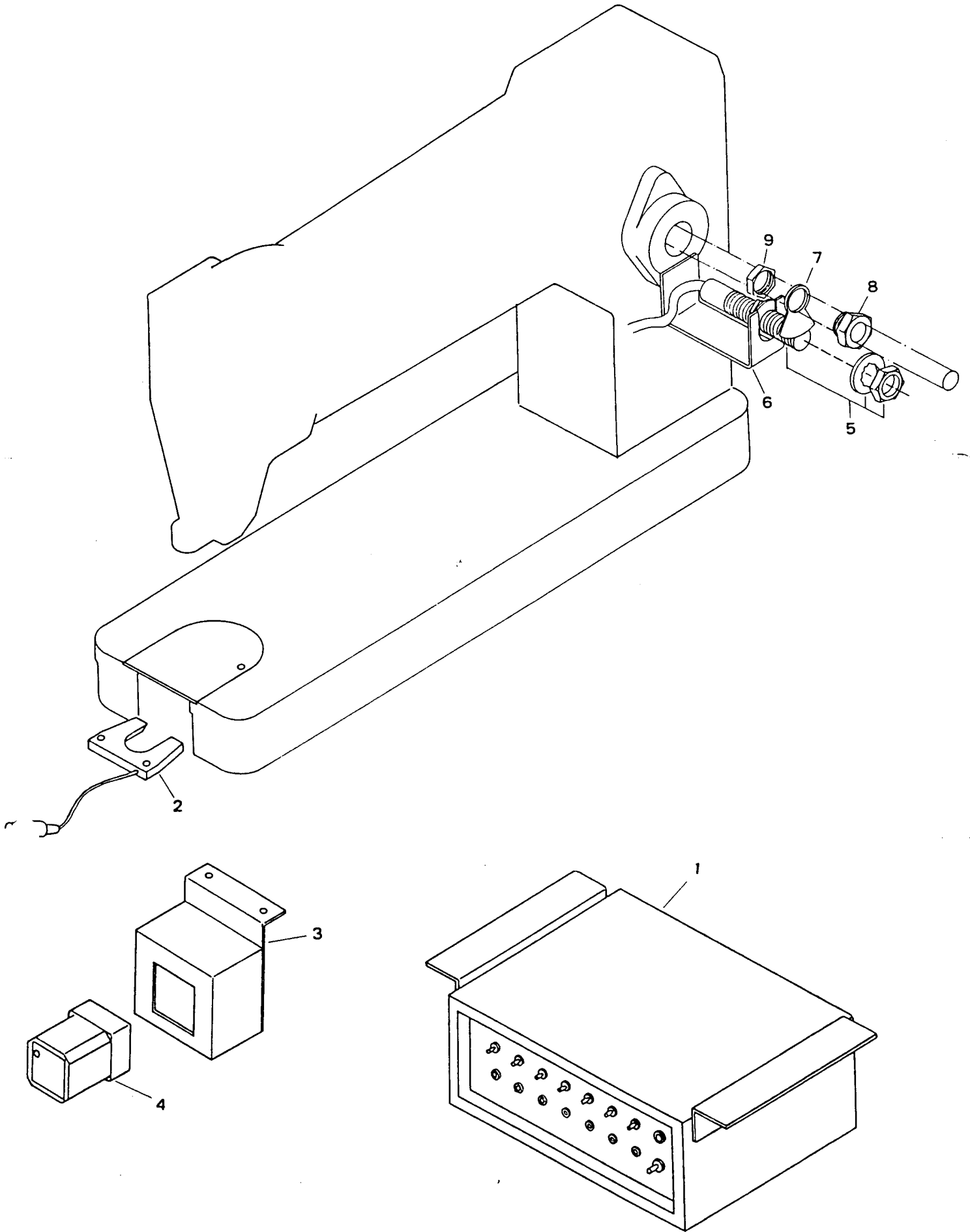
No.	Description
1	4701HJ .....PANTOGRAPH TIMING BELT TRACK
	4703HJ ..... //
2	4702HJ .....FIXING PLATE
3	4227HJ .....FIXING BRACKET (RIGHT) <i>See P. R.</i>
4	.....SCREW
5	.....SCREW
6	4725HJ .....TIMING BELT CLAMP (UPPER)
7	4726HJ .....TIMING BELT CLAMP (LOWER)
8	.....SCREW
9	.....WASHER
10	.....NUT
11	.....SCREW
12	.....WASHER (SQUARE)
13	4511HJ .....FRAME LIMIT MICROSWITCH
14	4512HJ .....MOUNTING PLATE
15	.....WING NUT
16	.....SCREW
17	.....NUT



## ELECTRONIC CONTROLS (X)

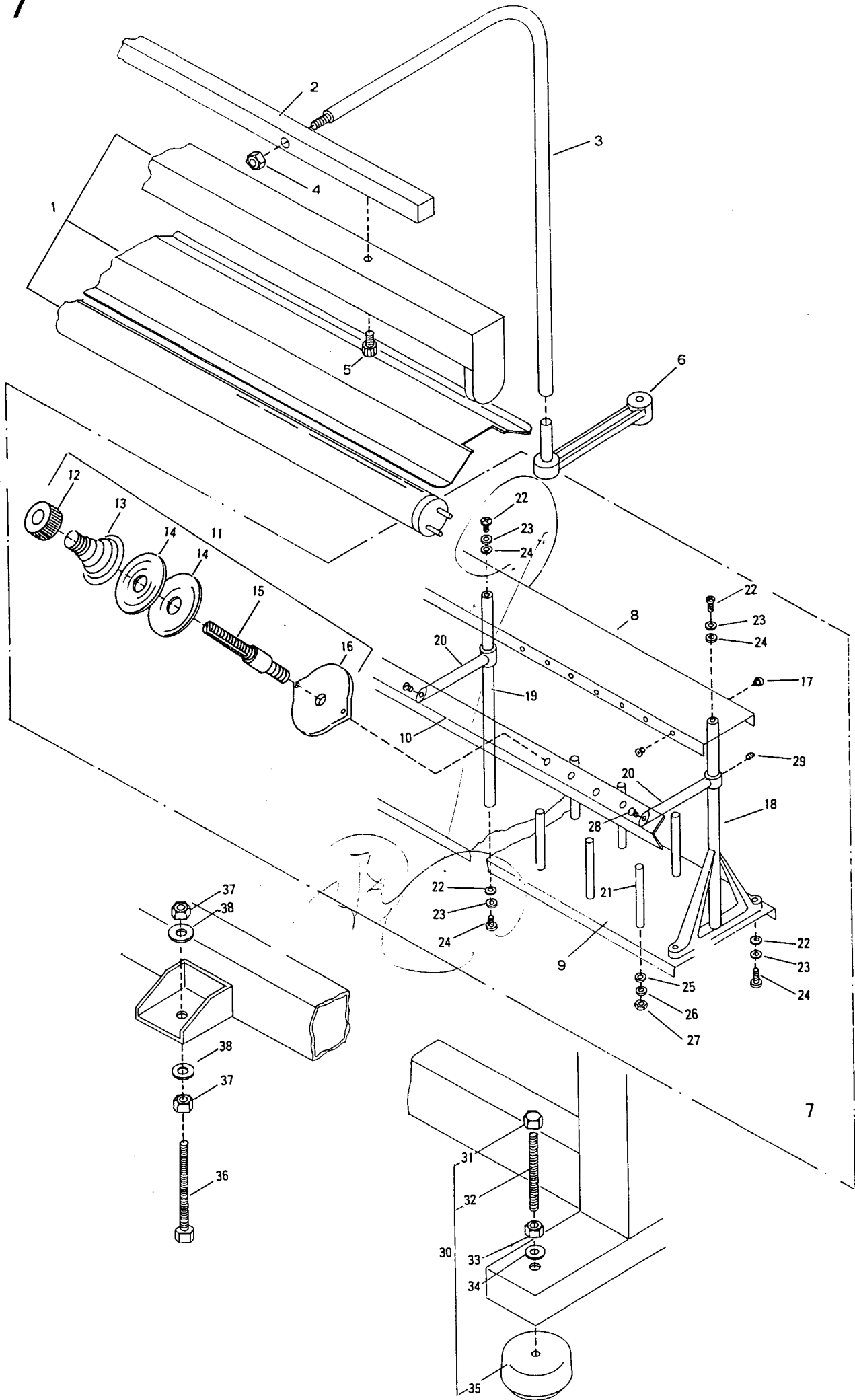
No.	Description
1	5110HJ .....CONTROL PANEL
2	5112HJ .....PCB (J2)
3	5113HJ .....PCB (J3)
4	5120HJ .....AUTOMAT MOTOR DRIVER
5	5115HJ .....PCB (J1)
6	5116HJ .....PCB (J2)
7	5117HJ .....PCB (J3, J4)
8	5119HJ .....PCB (J5, J6)
9	5201HJ .....TRANSFORMER COVER
10	5211HJ .....TRANSFORMER
11	5220H.....TAPE HANDLER/READER
12	5318F.....BRACKET STOP/START SWITCH
13	5315F.....STOP SWITCH CASING
14	5311F.....STOP SWITCH <i>Red</i>
	5312F..... " <i>Green</i>
15	5319F.....BRACKET-STOP/START BAR
16	5316HJ .....STOP/START BAR





# UNDERTHREAD STOP MOTION (UTSM) ASSY (Y) <sup>16</sup>

No.	Description
1	5410HJ.....CONTROL BOX UNDERTHREAD STOP MOTION
2	5411F.....SENSOR UTSM
3	5401F.....AMPLIFIER CASING
4	5412F.....AMPLIFIER
5	5413F.....PROXIMITY SWITCH
6	5414F.....PROXIMITY SWITCH BRACKET
7	5416F.....PROXIMITY SWITCH PROBE
8	5417F.....HEXAGON NUT
9	5418F.....HEXAGON NUT



## LIGHT FITTINGS, THREAD STAND, AND SUPPORTS (Z)

No.	Description
1	7110F.....FLORESCENT LIGHT UNIT
2	7114HJ .....TRUNKING
3	7115F.....LIGHT STAND
4	.....CHROME HEXAGON NUT
5	.....SCREW
6	7116F.....BRACKET
7	7101HJ .....THREAD STAND ASSY ( 6 HEAD)
	7102HJ ..... // ( 8 HEAD)
	7103HJ ..... // (10 HEAD)
	7104HJ ..... // (12 HEAD)
8	7121HJ .....UPPER COVER THREAD STAND
9	7122HJ .....BASE THREAD STAND
10	7124HJ .....THREAD GUIDE BAR
11	2405H.....THREAD TENSION UNIT ASSY
12	2471F.....ADJUSTING NUT
13	2435H.....SPRING
14	2425F.....TENSION DISC
15	2416F.....THREAD STAND TENSION POST
16	2421H.....BACKING PLATE
17	2493F.....NUT
18	7125HJ .....THREAD STAND FRAME END PILLAR
19	7126HJ .....THREAD STAND PILLAR
20	7127HJ .....BRACKET AND ARM-THREAD STAND
21	7128F.....THREAD CONE PIN
22	.....WASHER
23	.....SPRING WASHER
24	.....BOLT
25	.....WASHER
26	.....SPRING WASHER
27	.....NUT
28	.....SCREW
29	.....SCREW
30	1290H.....FOOT ASSY
31	.....NUT
32	1292H.....BOLT
33	.....HEXAGON NUT
34	.....WASHER
35	1241H.....RUBBER FOOT
36	1296H.....BOLT
37	.....HEXAGON NUT
38	.....WASHER

Strawberry